

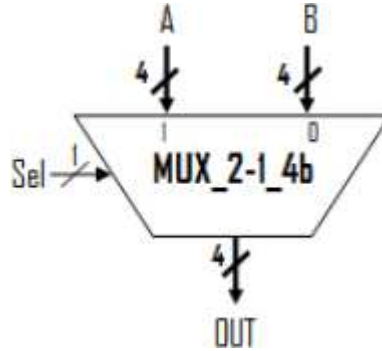
JudgeIt!

The Virtual Learning Environment for Computer Programming

2-to-1 4-bit multiplexer

X45317_en

Create a module named `mux_2_1_4bit` implementing a multiplexer with 2 inputs and 1 output. The input and output buses have 4 bits each.



Input

- *a* and *b* are the two 4 bit inputs.
- *sel* is the selector.

Output

- *out* is the 4 bit output; must be *b* if *sel* is 1, *a* otherwise.

Problem information

Author : Javier de San Pedro Martín and Marta Miralpeix Anglerill
Generation : 2011-06-10 13:01:34

© *Jutge.org*, 2006–2011.
<http://www.jutge.org>